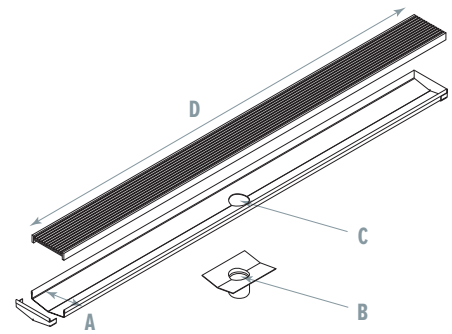


STUDIO CHANNEL DRAIN CUSTOM ORDER FORM

In addition to our standard range of point drains and channel drains, we offer a custom service if you would prefer to have the product made to order. If you are interested in placing a custom order, please fill in the form below, ensuring the following details are considered:

PRODUCT SPECIFICATIONS

- All dimensions are to be in millimeters
- Choose from 60mm, 85mm or 110mm grate widths
- Choose from heelguard or tile insert channel grate styles
- Choose from stainless steel or matte black finishes
- For 50mm grate width, only a 44mm outlet diameter is available
- Choose between a 44mm or 65mm outlet
- Single grate can be no longer than 1500mm
- Single channel can be no longer than 3000mm
- POA for 50 & 100mm channel widths, custom outlet sizes and custom colours



	CHANNEL STYLE	CHANNEL FINISH	CHANNEL WIDTH (A)	OUTLET DIAMETER (B)	POSITION OF OUTLET (C)	OVERALL LENGTH (D)
1						
2						
3						
4						
5						
6						
7						

Date . _____

Order Number . _____

Store Name . _____

Contact Name . _____

Phone . _____

Email . _____

Customer Name . _____

Customer Phone . _____

Delivery Address . _____
