



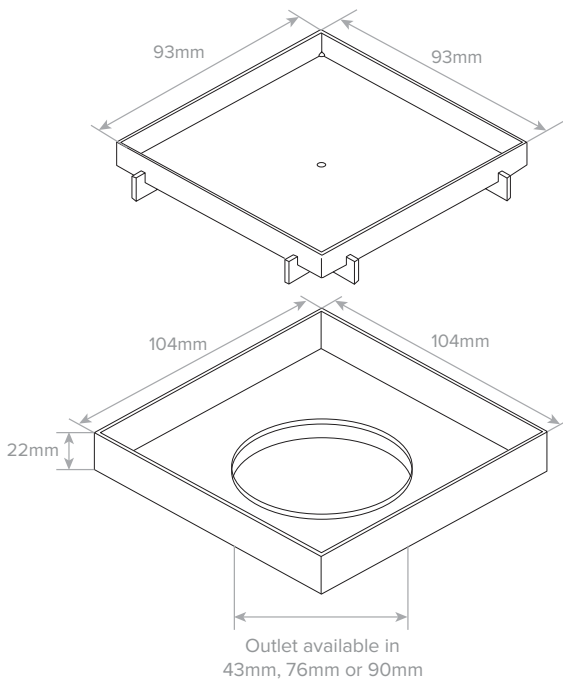
STUDIO RD

TECHNICAL SPECIFICATIONS

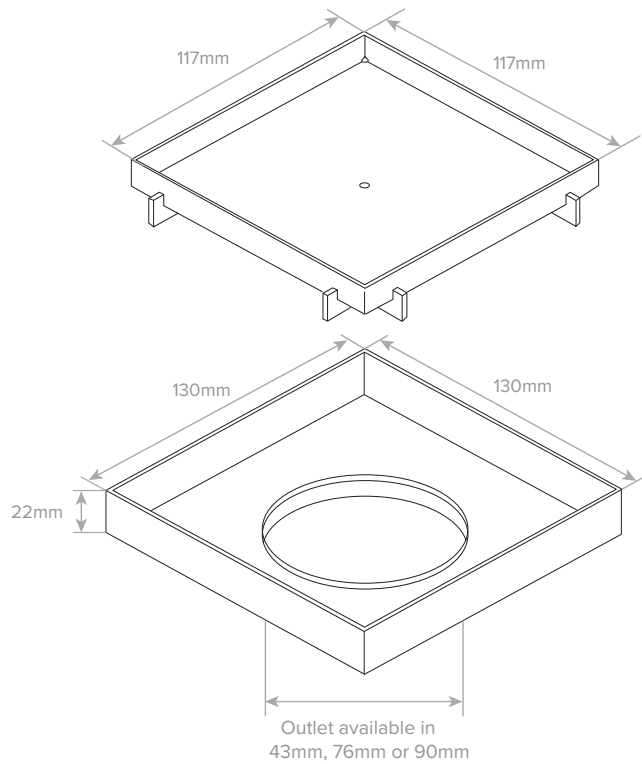
# STUDIO POINT DRAIN

## TILE INSERT DESIGN

100mm POINT DRAIN



130mm POINT DRAIN



### 10 YEAR WARRANTY

Studio RD warrant the material properties of all of our products for 10 years. These guarantees only relate to the channel & grate and do not relate to installation or similar services & building applications. In addition to this warranty, legislation (including Australian Consumer Law) may give you certain rights which cannot be excluded, restricted or modified, this warranty must be read subject to such legislation and nothing in this warranty has the effect of excluding, restricting or modifying those rights.

### DISCLAIMER

Failure to strictly comply with the enclosed instructions will result in forfeiture of the warranty by the user. The manufacturer will not accept responsibility for loss or damage whatsoever resulting from the use of this product, unless in strict compliance with the installation instructions.



AUSTRALIAN MADE  
AND GUARANTEED



Unit 5 / 8 Lindsay Road  
Lonsdale SA 5160